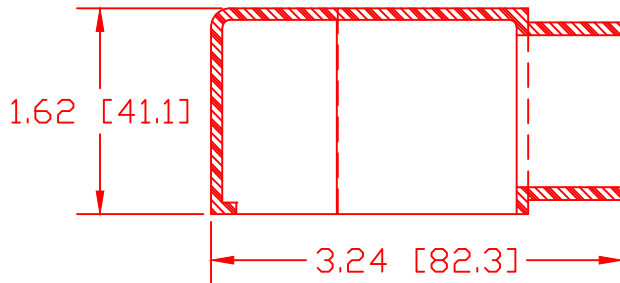
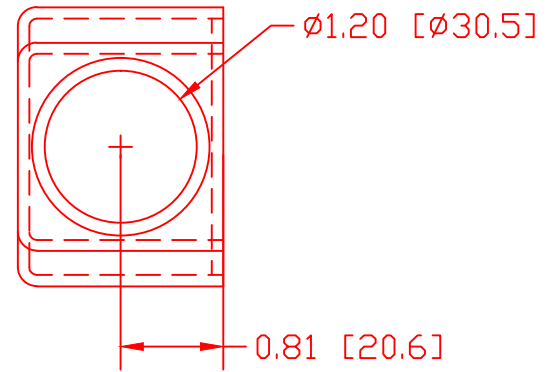
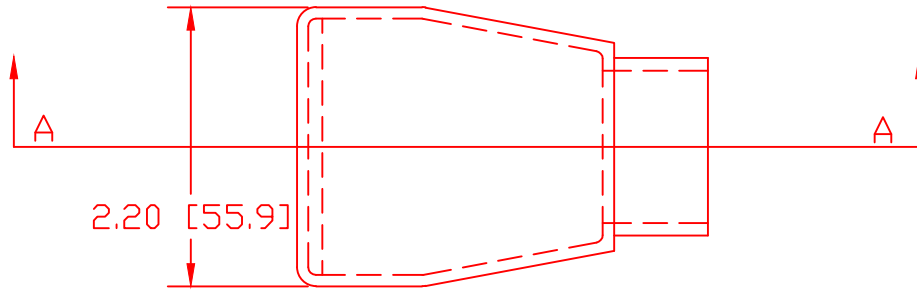



THE INFORMATION CONTAINED IN THIS DRAWING IS THE SOLE PROPERTY OF VTE INCORPORATED. ANY REPRODUCTION IN PART OR WHOLE WITHOUT THE WRITTEN PERMISSION OF VTE INCORPORATED IS PROHIBITED.

LTR.	REVISIONS	DATE
✂	*****	00-00-98



TOLERANCE UNLESS OTHERWISE SPECIFIED: ±.030"/±0.8mm  
 RADIAL DIAMETERS TO BE MEASURED OVER MANDRELS,  
 RING GAGES OR PIN GAGES OF SUITABLE SIZE

VTE Material Part No: 1101650109  
 Material: BLUE PVC  
 Material Part No: 05-916R  
 Max. Operating Temp: 105 C  
 Shore Durometer "A" 65  
 Specific Gravity: 1.27  
 Ult. Elongation %: 325  
 Brittle Temp: \*\*\*\*  
 Tensile Strength PSI: 1500 PSI  
 Dielectric Strength, v./ml: \*\*\*\*  
 U.L. Rating: \*\*\*\*  
 MEETS: \*\*\*\*

		<b>VTE Incorporated</b> 5437 Robinson Road, P.O. Box 790 Pellston, Michigan 49769 Telephone: 1-800-527-9256, 231-539-8000 FAX: 231-539-0914	
		REF: 10557073	DATE: 07MAR01
TITLE: BATTERY TERMINAL INSULATOR			SCALE: NOTED
MATERIAL: NOTED		PART NO. 973N8V09	
COLOR: ****	DRG CLASS: ****		