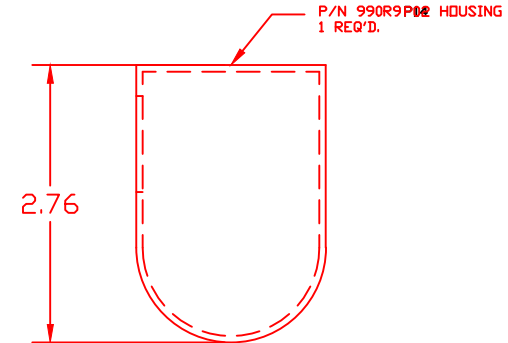
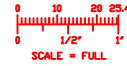
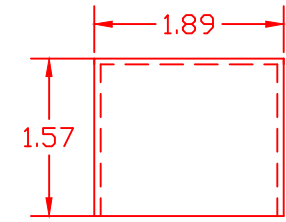
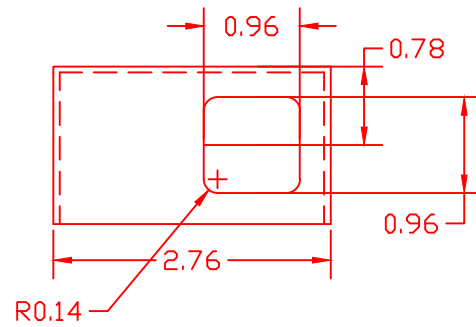


THE INFORMATION CONTAINED IN THIS DRAWING IS THE SOLE PROPERTY OF VTE INCORPORATED. ANY REPRODUCTION IN PART OR WHOLE WITHOUT THE WRITTEN PERMISSION OF VTE INCORPORATED IS PROHIBITED.

LTR.	REVISIONS	DATE
≡	*****	00-000-00



TOLERANCE UNLESS OTHERWISE SPECIFIED:  
 MOLDED PRODUCTS ONLY: ±.030"/±0.8mm  
 HARDWARE ITEMS: ±0.010"/±0.25mm  
 RADIAL DIAMETERS TO BE MEASURED OVER MANDRELS,  
 RING GAGES OR PIN GAGES OF SUITABLE SIZE

Material:	Polypropylene
VTE Material Part No:	1209720314
Max. Operating Temp:	550 F
Durometer:	110 R-Scale
Specific Gravity:	1.13
Ult. Elongation %:	2.5
Modulus PSI:	Not Tested
Tensile Strength PSI:	9500
Dielectric Strength, v./ml	Not Tested
MEETS:	UL94HB

	<b>VTE Incorporated</b> 5437 Robinson Road, P.O. Box 790 Pellston, Michigan 49769 Telephone: 1-800-527-9256, 231-539-8000 FAX: 231-539-0914		
	REF: *****	DATE: 26JUL07	DRN BY: BRH
TITLE: BATTERY TERMINAL INSULATOR			SCALE:
MATERIAL:		PART NO.	
COLOR: *****	DRG CLASS *****	990R9 P14	

REF: *****	DATE: 26JUL07	DRN BY: BRH	WEIGHT: *****
TITLE: BATTERY TERMINAL INSULATOR			SCALE:
MATERIAL:		PART NO.	
COLOR: *****	DRG CLASS *****	990R9 P14	