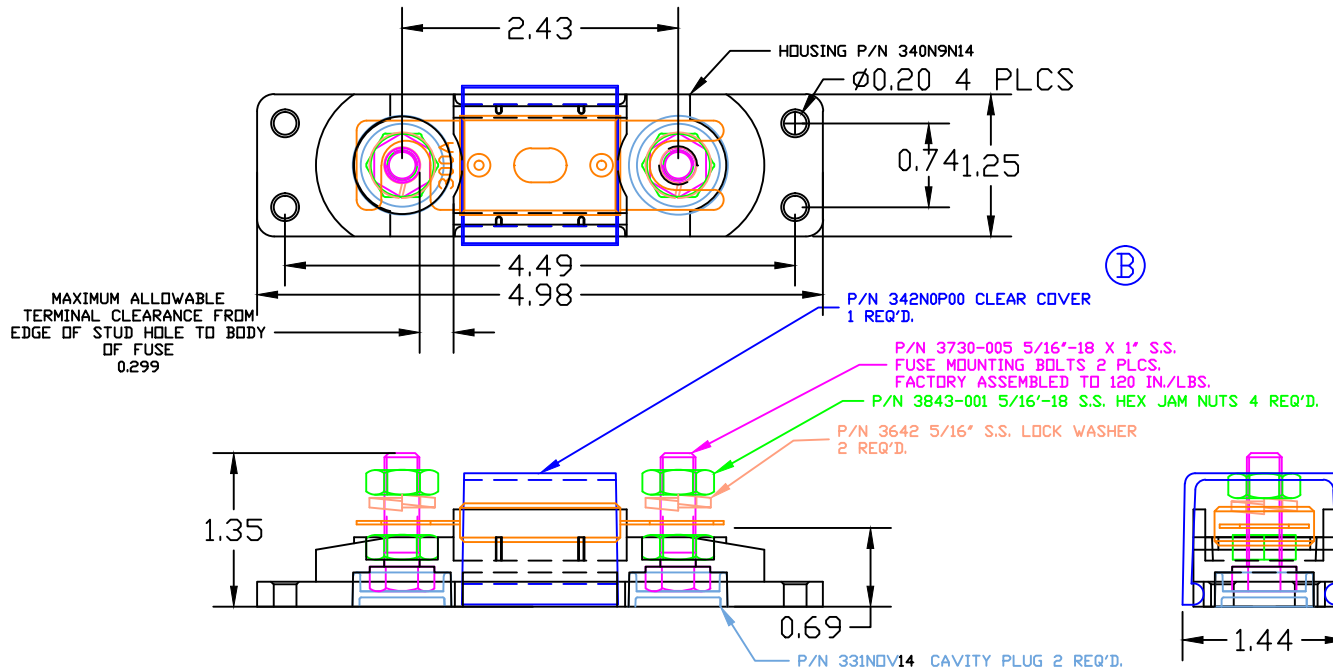


THE INFORMATION CONTAINED IN THIS DRAWING IS THE SOLE PROPERTY OF VTE INCORPORATED. ANY REPRODUCTION IN PART OR WHOLE WITHOUT THE WRITTEN PERMISSION OF VTE INCORPORATED IS PROHIBITED.

LTR.	REVISIONS	DATE
A	REM'D. P/N 3645-F, TO BE SUPPLIED BY CUST.	04JUN10
B	342NOP00 WAS 342NOV00	30JUL15



DO NOT SCALE

CUSTOMER SPECIFIC ITEM, NOT RETURNABLE
 FUSE AND INSULATORS NOT INCLUDED
 MAXIMUM RECOMMENDED AMPERAGE: 300 AMPS @ 12 VDC

14

BASE MATERIAL:
 BASE MATERIAL U.L. RATING:
 BASE COLOR:

GLASS-REINFORCED NYLON
 94 HB
 BLACK

TOLERANCE UNLESS OTHERWISE SPECIFIED: ±0.30°/±0.8mm
 RADIAL DIAMETERS TO BE MEASURED OVER MANDRELS,
 RING GAGES OR PIN GAGES OF SUITABLE SIZE



VTE Incorporated
 5437 Robinson Road, P.O. Box 790
 Pellston, Michigan 49769
 Telephone: 1-800-527-9256, 231-539-8000
 FAX: 231-539-0914

REF: *****	DATE: 19MAR10	DRN BY: BRH	WEIGHT: *****
TITLE: ANL TYPE FUSEHOLDER, CUSTOM FOR ZERO MOTORCYCLES			SCALE:
MATERIAL:		PART NO.	
COLOR: *****	DRG CLASS *****	ANB740N7N14 X	