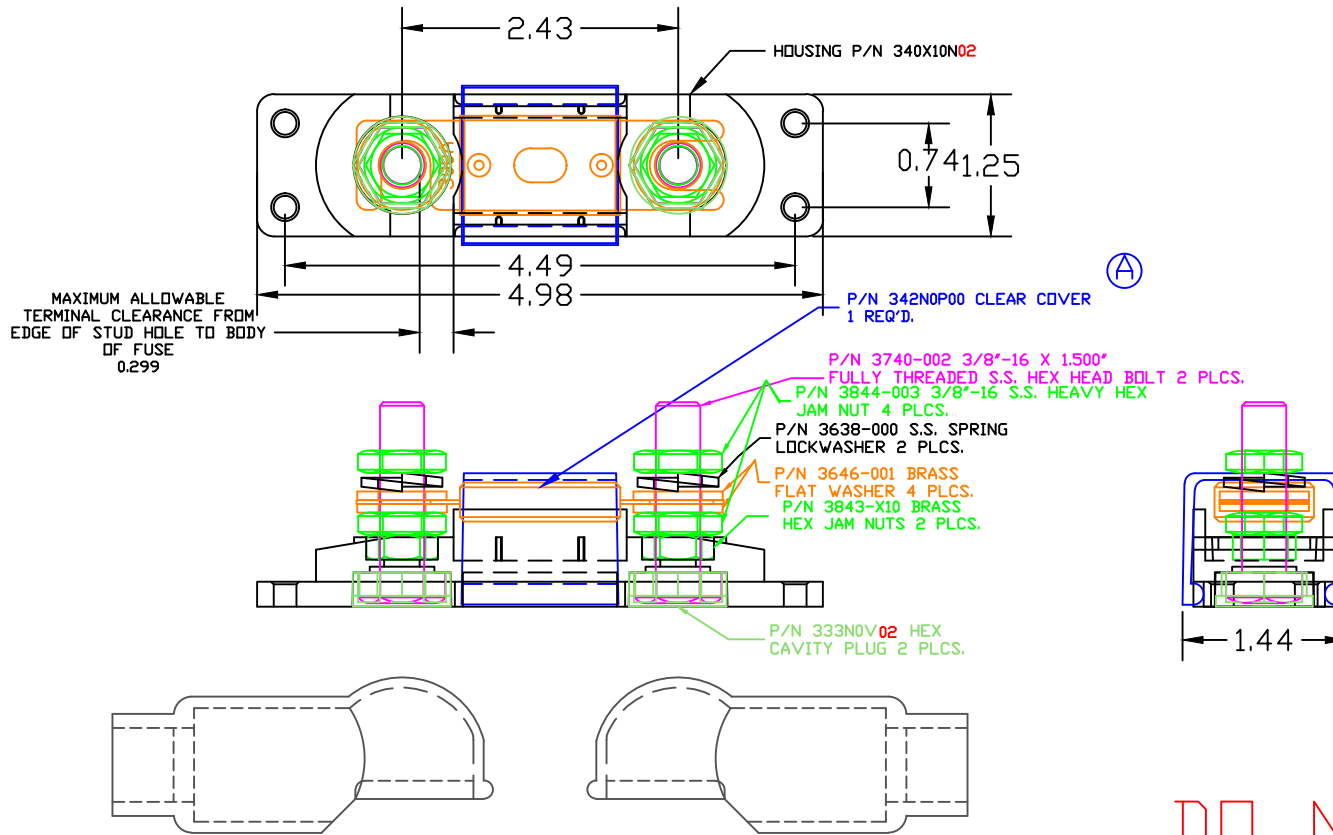


THE INFORMATION CONTAINED IN THIS DRAWING IS THE SOLE PROPERTY OF VTE INCORPORATED. ANY REPRODUCTION IN PART OR WHOLE WITHOUT THE WRITTEN PERMISSION OF VTE INCORPORATED IS PROHIBITED.

LTR.	REVISIONS	DATE
△	342N0P00 WAS 342NOV00	30JUL15



DO NOT SCALE

TOLERANCE UNLESS OTHERWISE SPECIFIED: $\pm 0.30^\circ / \pm 0.8\text{mm}$
 RADIAL DIAMETERS TO BE MEASURED OVER MANDRELS,
 RING GAGES OR PIN GAGES OF SUITABLE SIZE

FUSE NOT INCLUDED

ASSEMBLY INCLUDES:
 2-487N8V02 INSULATORS

MAXIMUM RECOMMENDED AMPERAGE: 300 AMPS @ 12 VDC

BASE MATERIAL:
 BASE MATERIAL U.L. RATING:
 BASE COLOR:

GLASS-REINFORCED NYLON
 94 HB
 RED


VTE Incorporated
 5437 Robinson Road, P.O. Box 790
 Pellston, Michigan 49769
 Telephone: 1-800-527-9256, 231-539-8000
 FAX: 231-539-0914

REF: *****	DATE: 13MAR07	DRN BY: BRH	WEIGHT: *****
		CHK'D BY: BRH	
TITLE: ANL TYPE FUSE HOLDER (UP TO 300 AMP)			SCALE:
MATERIAL:		PART NO.	
COLOR: *****	DRG CLASS *****	ANB741N9 N02	