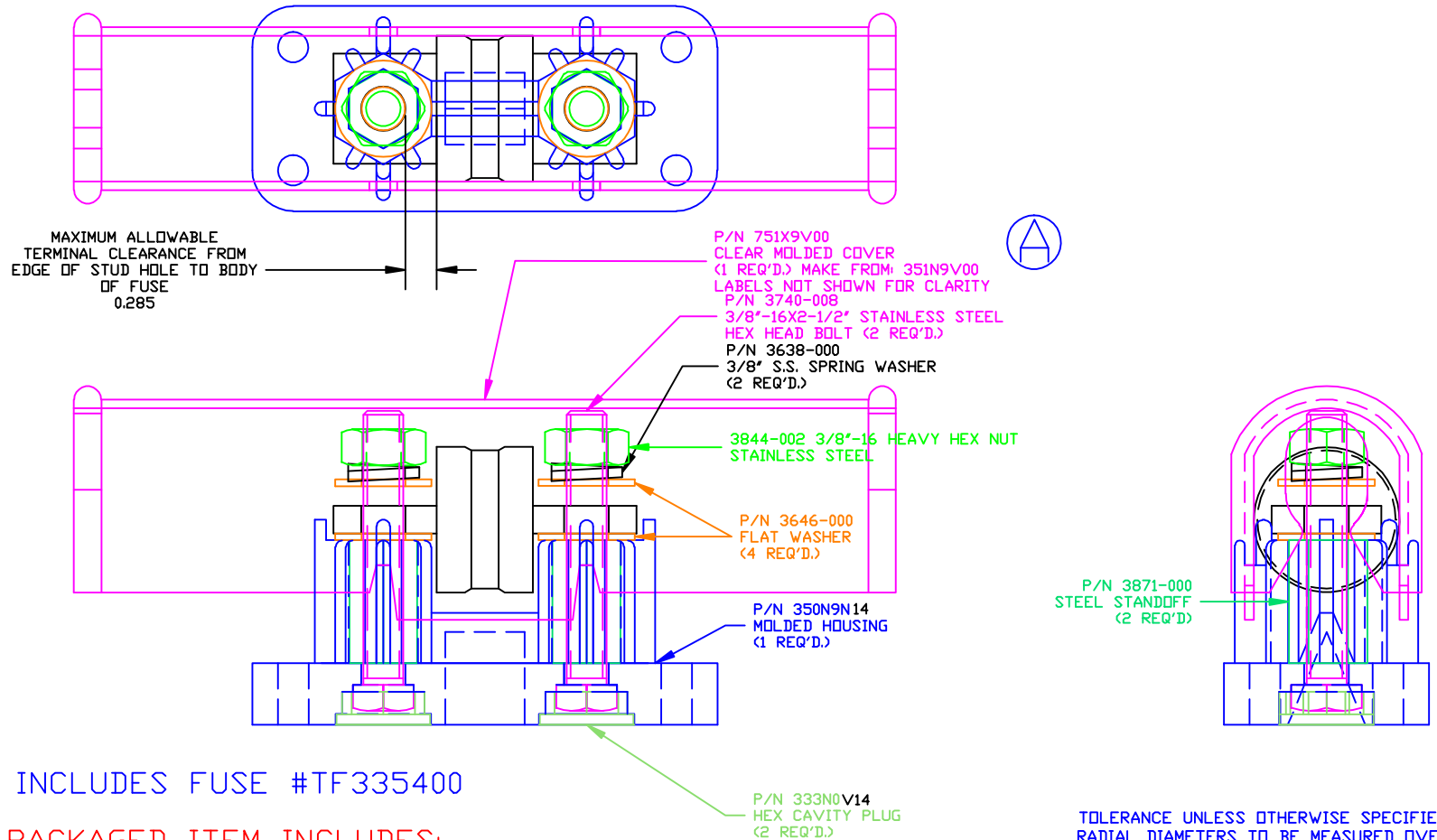


THE INFORMATION CONTAINED IN THIS DRAWING IS THE SOLE PROPERTY OF VTE INCORPORATED. ANY REPRODUCTION IN PART OR WHOLE WITHOUT THE WRITTEN PERMISSION OF VTE INCORPORATED IS PROHIBITED.

LTR.	REVISIONS	DATE
⌒	751X9V00 WAS 751X8V00	08NOV07




INCLUDES FUSE #TF335400

PACKAGED ITEM INCLUDES:
 FUSEBLOCK: TFB735N8N14
 EXCEPT,
 REPLACE 351N8V00 WITH COVER ASM: P/N 751X9V00
 AND LABEL INDIVIDUAL CARTON (P/N 1072031001)
 WITH LABEL P/N 16802010001

TOLERANCE UNLESS OTHERWISE SPECIFIED: ±.030"/±0.8mm
 RADIAL DIAMETERS TO BE MEASURED OVER MANDRELS,
 RING GAGES OR PIN GAGES OF SUITABLE SIZE

BASE MATERIAL: GLASS-REINFORCED NYLON
 BASE MATERIAL U.L. RATING: 94 HB
 BASE COLOR: BLACK



VTE Incorporated
 5437 Robinson Road, P.O. Box 790
 Pellston, Michigan 49769
 Telephone: 1-800-527-9256, 231-539-8000
 FAX: 231-539-0914

REF: *****	DATE: 26MAR07	DRN BY: BRH	WEIGHT: *****
TITLE: T CLASS FUSE ASSY. MAGNUM ENERGY 400AMP			SCALE: NOTED
MATERIAL:		PART NO.	
COLOR: *****	DRG CLASS *****	ME-400F	