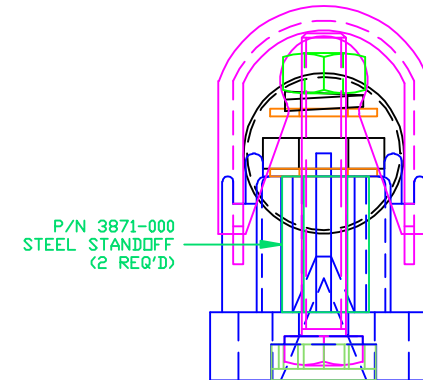
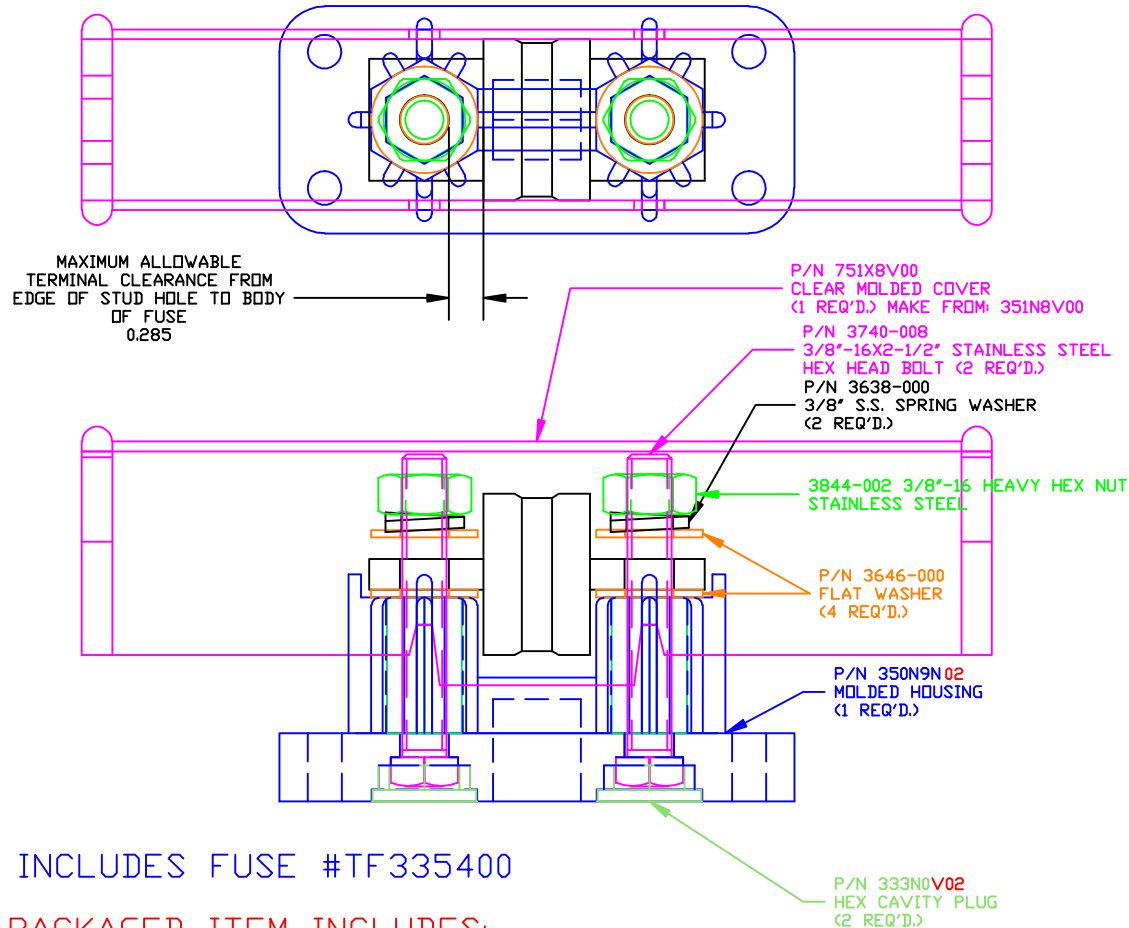


THE INFORMATION CONTAINED IN THIS DRAWING IS THE SOLE PROPERTY OF VTE INCORPORATED. ANY REPRODUCTION IN PART OR WHOLE WITHOUT THE WRITTEN PERMISSION OF VTE INCORPORATED IS PROHIBITED.

LTR.	REVISIONS	DATE
✘	*****	*****



INCLUDES FUSE #TF335400

PACKAGED ITEM INCLUDES:  
FUSEBLOCK: TFB735N8N14  
EXCEPT,  
REPLACE 351N8V00 WITH COVER ASM: P/N 751X8V00  
AND LABEL INDIVIDUAL CARTON (P/N 1072031001)  
WITH LABEL P/N 16802010001

BASE MATERIAL: GLASS-REINFORCED NYLON  
BASE MATERIAL U.L. RATING: 94 HB  
BASE COLOR: RED

TOLERANCE UNLESS OTHERWISE SPECIFIED: ±.030"/±0.8mm  
RADIAL DIAMETERS TO BE MEASURED OVER MANDRELS,  
RING GAGES OR PIN GAGES OF SUITABLE SIZE



**VTE Incorporated**  
5437 Robinson Road, P.O. Box 790  
Pellston, Michigan 49769  
Telephone: 1-800-527-9256, 231-539-8000  
FAX: 231-539-0914

REF: *****	DATE: 26MAR07	DRN BY: BRH	WEIGHT: *****
TITLE: T CLASS FUSE ASSY. MAGNUM ENERGY 400AMP			SCALE: NOTED
MATERIAL:		PART NO.	
COLOR: *****	DRG CLASS *****	ME-400F02	