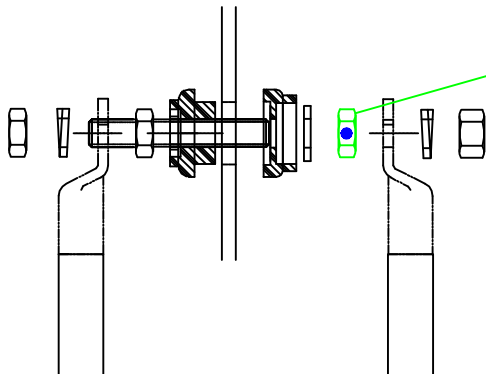


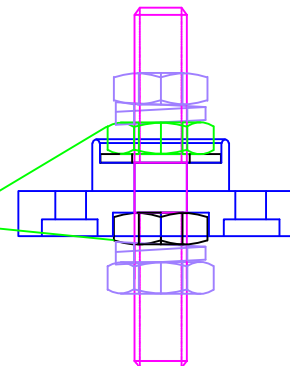
BLUE DOT TECHNOLOGY APPLIES TO THE PRODUCTS BELOW.
 THESE INDICATED COMPONENTS ARE CRITICAL TO THE PERFORMANCE OF THE PRODUCTS.
 THESE COMPONENTS MUST BE INSTALLED IN THE POSITION SHOWN, AS SHIPPED FROM THE FACTORY.

POWER BUSHINGS VTE SERIES #'S 7B505**** AND 7B373****



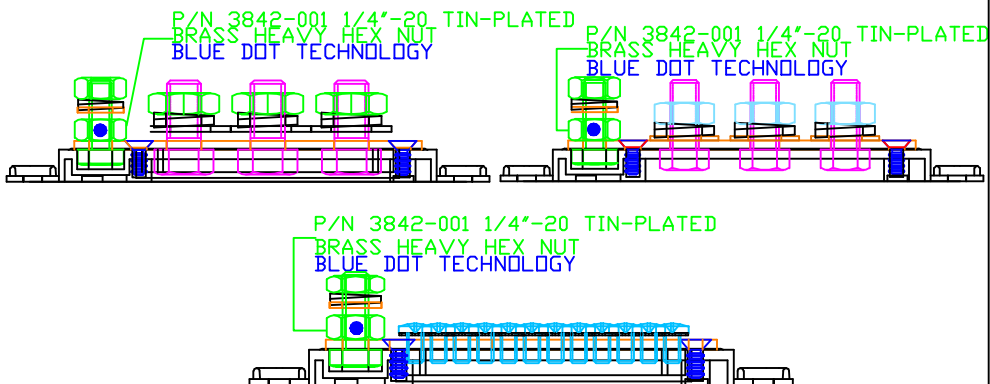
BRASS JAM NUT
 BLUE DOT TECHNOLOGY

PASS-THRU POWER POST VTE SERIES #'S 77237****



3/8"-16 HEAVY HEX JAM NUT,
 TIN-PLATED BRASS 2 PLCS.
 BLUE DOT TECHNOLOGY

BUSBAR CONNECTORS VTE SERIES #'S 7704***, 7705***, 7712****

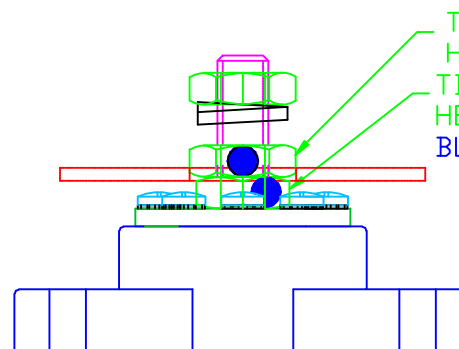


P/N 3842-001 1/4"-20 TIN-PLATED
 BRASS HEAVY HEX NUT
 BLUE DOT TECHNOLOGY

P/N 3842-001 1/4"-20 TIN-PLATED
 BRASS HEAVY HEX NUT
 BLUE DOT TECHNOLOGY

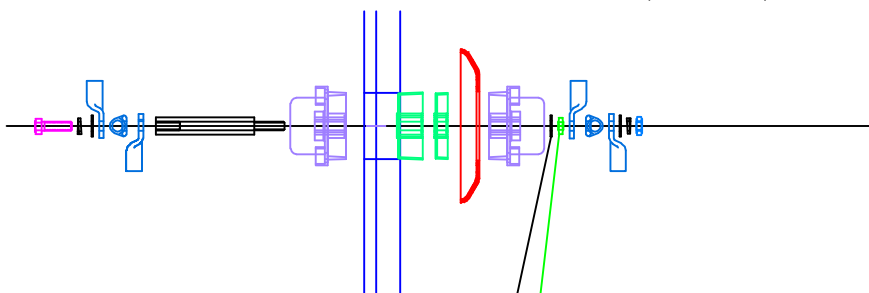
P/N 3842-001 1/4"-20 TIN-PLATED
 BRASS HEAVY HEX NUT
 BLUE DOT TECHNOLOGY

8-POINT POWER DISTRIBUTION POSTS VTE SERIES #'S 778N*N**



TIN PLATED BRASS
 HEAVY HEX JAM NUT
 TIN PLATED BRASS
 HEAVY HEX JAM NUT
 BLUE DOT TECHNOLOGY

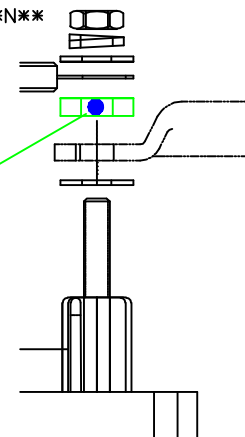
BULKHEAD CONNECTORS VTE SERIES #'S 721****, 722****, AND 723****



BRASS FLAT WASHER
 BLUE DOT TECHNOLOGY

HEAVY HEX JAM NUT
 BRASS, TIN-PLATED
 BLUE DOT TECHNOLOGY

HI-AMP ANL FUSEHOLDER VTE SERIES #'S 753N*N**



NICKEL PLATED SPACER
 BLUE DOT TECHNOLOGY