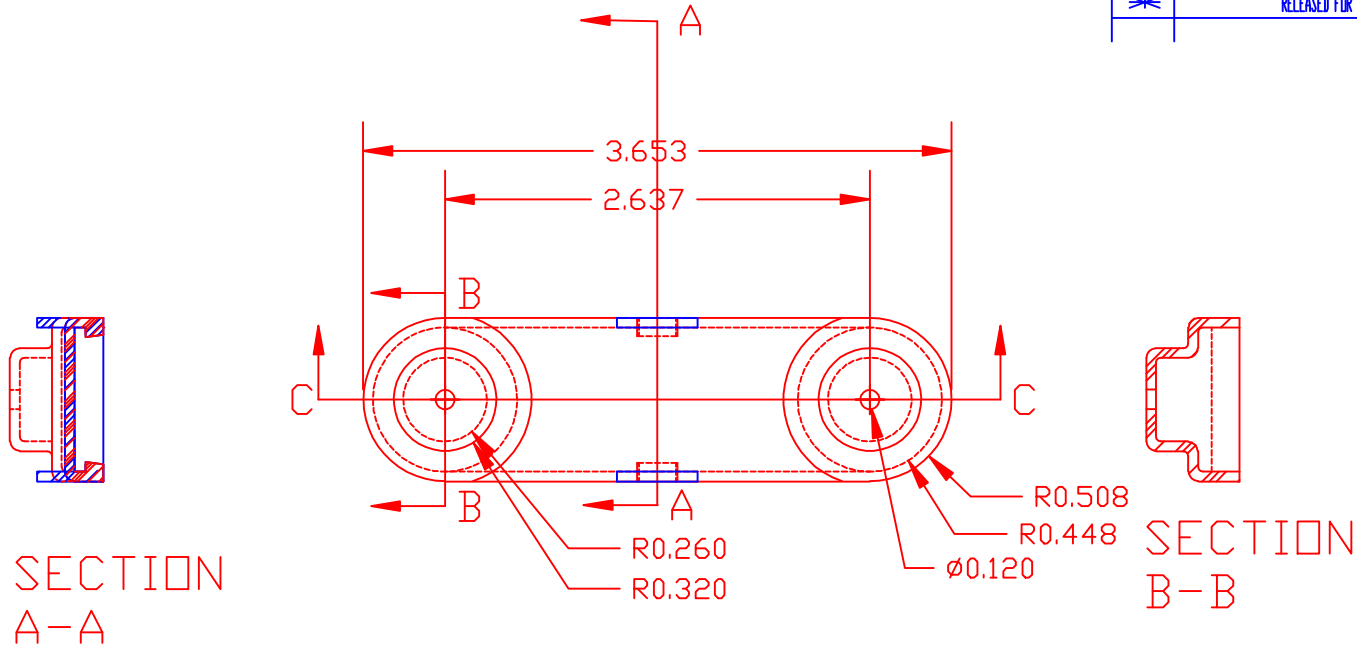


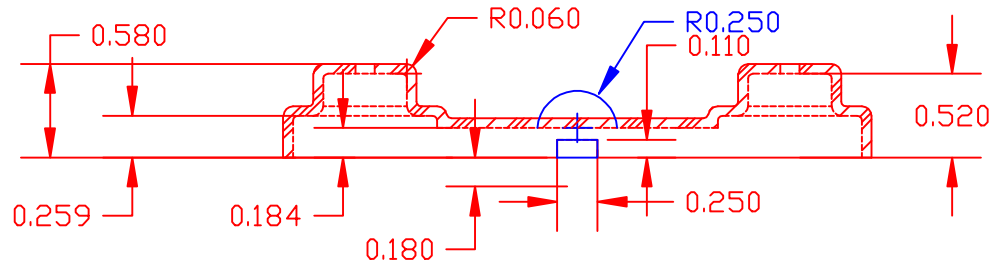
PROPRIETARY RIGHTS ARE CLAIMED FOR THE MATERIAL DISCLOSED IN THIS DRAWING.

LTR.	REVISIONS	DATE
✂	RELEASED FOR PROTOTYPE	23-FEB-00

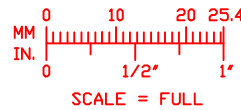


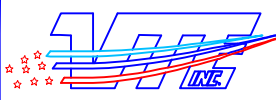
SECTION  
A-A

SECTION  
B-B



SECTION  
C-C



		<b>VTE Incorporated</b> 5437 Robinson Road, P.O. Box 790 Pellston, Michigan 49769 Telephone: 1-800-527-9256, 231-539-8000 FAX: 231-539-0914	
		REF: *****	DATE: 23-FEB-00
TITLE: BUSBAR COVER		CHK'D BY: BRH	SCALE: NOTED
MATERIAL: TBD		PART NO. PB05400	
COLOR: *****	DRG CLASS *****		