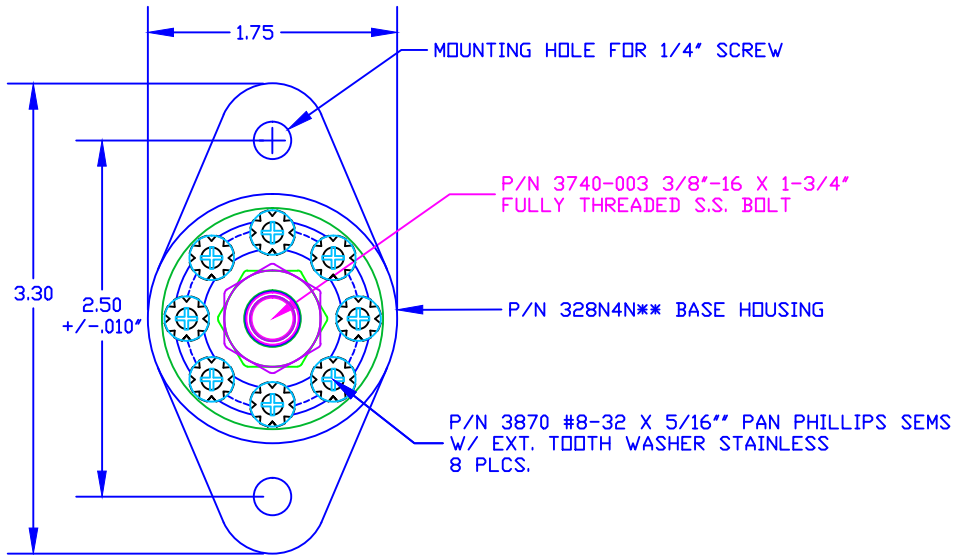
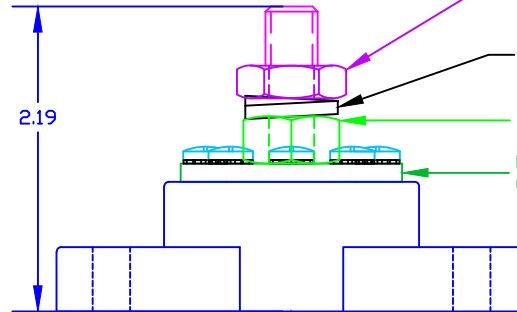
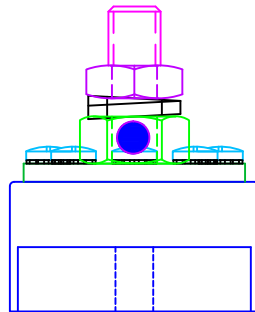


THE INFORMATION CONTAINED IN THIS DRAWING IS THE SOLE PROPERTY OF VTE INCORPORATED. ANY REPRODUCTION IN PART OR WHOLE WITHOUT THE WRITTEN PERMISSION OF VTE INCORPORATED IS PROHIBITED.

LTR.	REVISIONS	DATE
≡	*****	00-00-98



DO NOT SCALE



P/N 329N0V** CAVITY PLUG (NOT SHOWN)

TOLERANCE UNLESS OTHERWISE SPECIFIED: ±.030"/±0.8mm
 RADIAL DIAMETERS TO BE MEASURED OVER MANDRELS,
 RING GAGES OR PIN GAGES OF SUITABLE SIZE

BASE MATERIAL: GLASS-REINFORCED NYLON
 BASE MATERIAL U.L. RATING: 94 HB
 BUS MATERIAL: NICKEL PLATED COPPER
 VOLTAGE RATING: 48 VOLTS DC MAX.
 BUS AMPERAGE RATING: 160 AMPS DC (8 X 20 AMP CIRCUITS)
 TEMPERATURE RISE AT LOAD: 27.9 DEG. C. (52 DEG. F.)
 RECOMMENDED MAXIMUM TORQUE: 12 FT./LBS. (144 IN./LBS.)



VTE Incorporated
 5437 Robinson Road, P.O. Box 790
 Pellston, Michigan 49769
 Telephone: 1-800-527-9256, 231-539-8000
 FAX: 231-539-0914

REF: *****	DATE: 09APR03	DRN BY: BRH	WEIGHT: *****
TITLE: 3/8" POWER DISTRIBUTION POST			SCALE:
MATERIAL:		PART NO.	
COLOR:	DRG CLASS *****	RN77837-XN02	