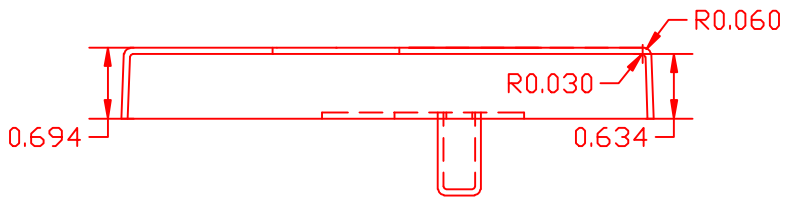
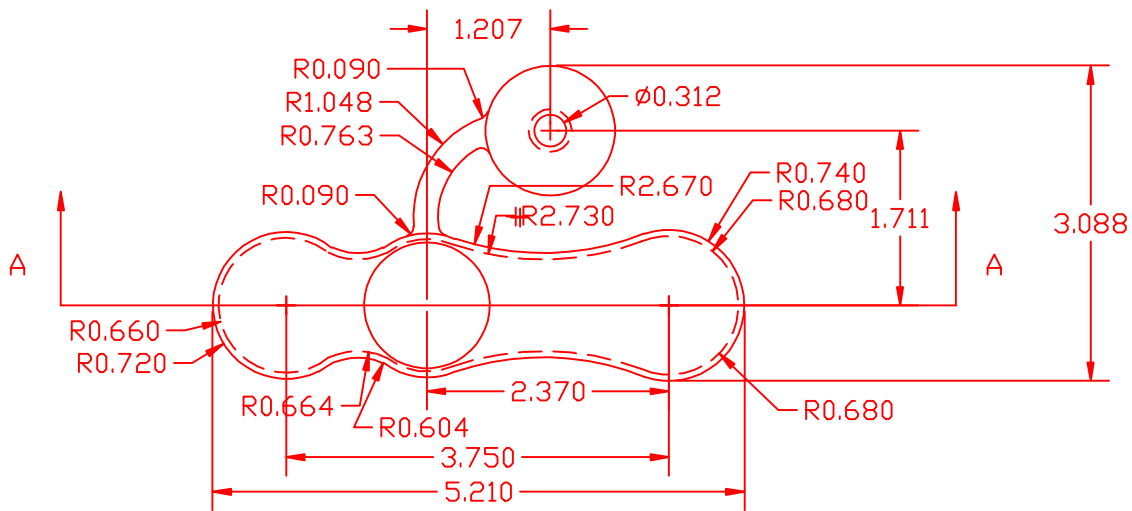
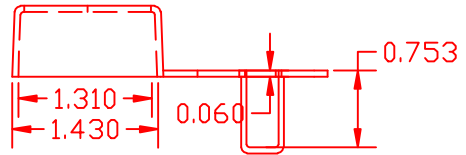


THE INFORMATION CONTAINED IN THIS DRAWING IS THE SOLE PROPERTY OF VTE INCORPORATED. ANY REPRODUCTION IN PART OR WHOLE WITHOUT THE WRITTEN PERMISSION OF VTE INCORPORATED IS PROHIBITED.

LTR.	REVISIONS	DATE
✖	*****	00-00-00

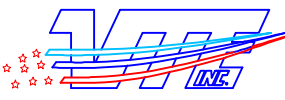


SECTION A-A



TOLERANCE UNLESS OTHERWISE SPECIFIED:
 MOLDED PRODUCTS ONLY: ±0.30"/±0.8mm
 HARDWARE ITEMS: ±0.010"/±0.25mm
 RADIAL DIAMETERS TO BE MEASURED OVER MANDRELS,
 RING GAGES OR PIN GAGES OF SUITABLE SIZE

VTE Material Part No:	1101650102
Material:	RED PVC
Material Part No	9812-65-RED683
Max. Operating Temp:	105 C
Shore Durometer	"A" 10 SEC. 67/62
Specific Gravity:	1.34
Ult. Elongation %:	475
Brittle Temp:	-44 C
Tensile Strength PSI:	1547 PSI
Dielectric Strength, v./mil	540
U.L. Rating:	94 V2
MEETS:	FMVSS.302

		VTE Incorporated 5437 Robinson Road, P.O. Box 790 Pellston, Michigan 49769 Telephone: 1-800-527-9256, 231-539-8000 FAX: 231-539-0914	
		REF: *****	DATE: 00-00-98
TITLE: BATTERY TERMINAL INSULATOR			SCALE:
MATERIAL:		PART NO.	
COLDR: *****	DRG CLASS *****	SBS1350 V02	