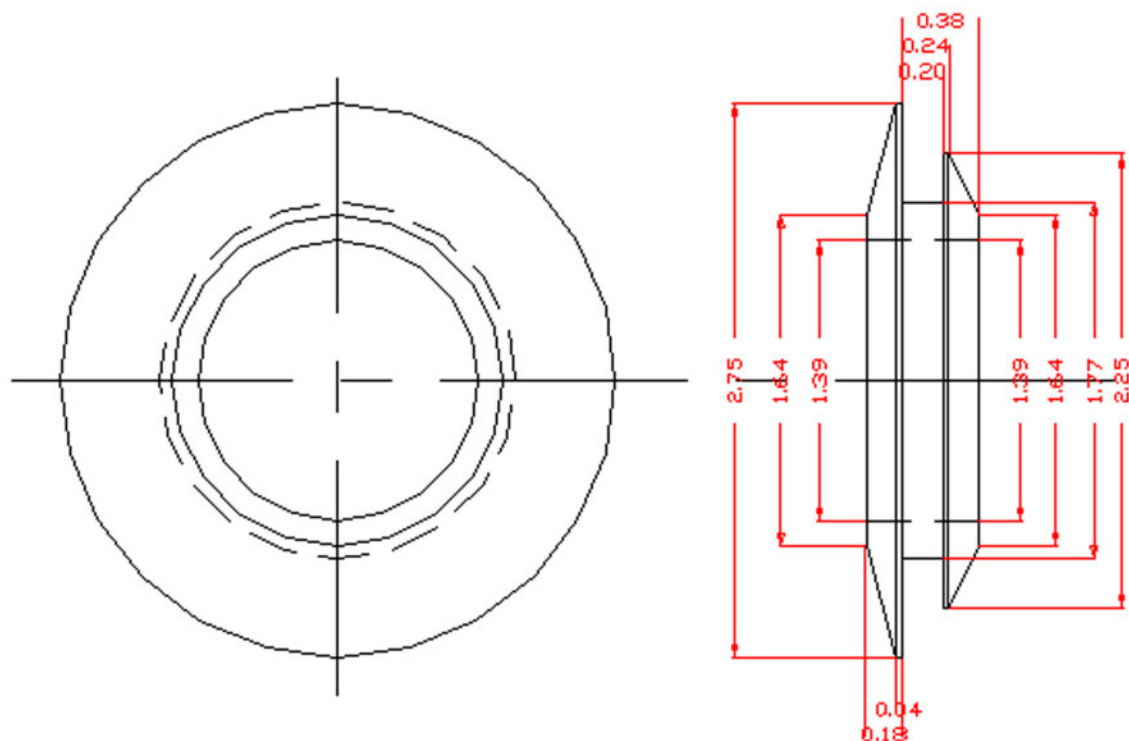


THE INFORMATION CONTAINED IN THIS DRAWING IS THE SOLE PROPERTY OF VTE INCORPORATED. ANY REPRODUCTION IN PART OR WHOLE WITHOUT THE WRITTEN PERMISSION OF VTE INCORPORATED IS PROHIBITED.

LTR.	REVISIONS	DATE
A	LIST MATERIAL AS MANUFACTURED	00-000-00
B	9812-65 WAS 6703	17DEC09




TOLERANCE UNLESS OTHERWISE SPECIFIED:  
 MOLDED PRODUCTS ONLY:  $\pm 0.030"/\pm 0.8mm$   
 HARDWARE ITEMS:  $\pm 0.010"/\pm 0.25mm$   
 RADIAL DIAMETERS TO BE MEASURED OVER MANDRELS,  
 RING GAGES OR PIN GAGES OF SUITABLE SIZE

VTE Material Part No:  
 Material:  
 Material Part No:  
 Max. Operating Temp:  
 Shore Durometer:  
 Specific Gravity:  
 Ult. Elongation %:  
 Brittle Temp:  
 Tensile Strength PSI:  
 Dielectric Strength, v./ml:  
 U.L. Rating:  
 MEETS:

1101650114  
 BLACK PVC  
 9812-65  
 105 C  
 "A" 10 SEC. 67/63  
 1.33  
 520  
 -36 C  
 1563 PSI  
 540  
 94 V2  
 FMVSS.302



		<b>VTE Incorporated</b> 5437 Robinson Road, P.O. Box 790 Pellston, Michigan 49769 Telephone: 1-800-527-9256, 231-539-8000 FAX: 231-539-0914	
		REF: *****	DATE: 03/05/96
MATERIAL: SEE LIST		PART NO. SU05496	
COLOR: BLACK	DRG CLASS: *****	SCALE:	