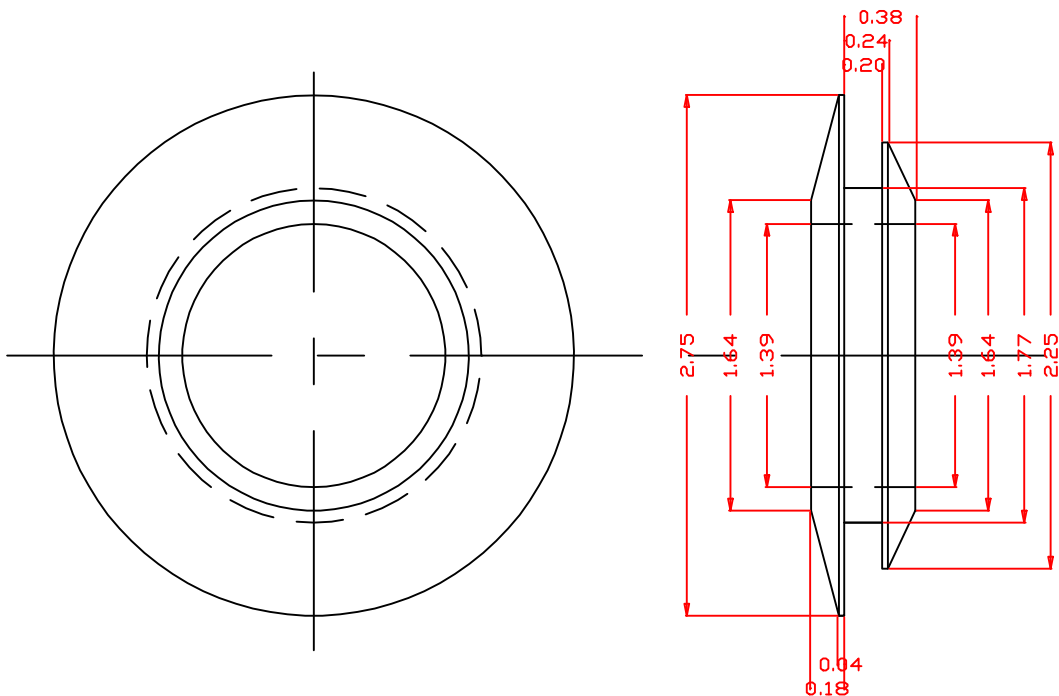


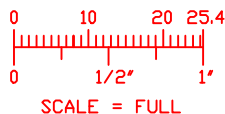
THE INFORMATION CONTAINED IN THIS DRAWING IS THE SOLE PROPERTY OF VTE INCORPORATED. ANY REPRODUCTION IN PART OR WHOLE WITHOUT THE WRITTEN PERMISSION OF VTE INCORPORATED IS PROHIBITED.

LTR.	REVISIONS	DATE
△	LIST MATERIAL AS MANUFACTURED	00-000-00
B	9812-65 WAS 6703 UPDATED TO AUTOCAD LT98	17DEC09



TOLERANCE UNLESS OTHERWISE SPECIFIED:  
 MOLDED PRODUCTS ONLY:  $\pm 0.30^\circ / \pm 0.8\text{mm}$   
 HARDWARE ITEMS:  $\pm 0.010^\circ / \pm 0.25\text{mm}$   
 RADIAL DIAMETERS TO BE MEASURED OVER MANDRELS,  
 RING GAGES OR PIN GAGES OF SUITABLE SIZE

VTE Material Part No: 1101650114  
 Material: BLACK PVC  
 Material Part No: 9812-65 (B)  
 Max. Operating Temp: 105 C  
 Shore Durometer: "A" 10 SEC. 67/63  
 Specific Gravity: 1.33  
 Ult. Elongation %: 520  
 Brittle Temp: -36 C  
 Tensile Strength PSI: 1563 PSI  
 Dielectric Strength, v./mil: 540  
 U.L. Rating: 94 V2  
 MEETS: FMVSS.302



		<b>VTE Incorporated</b> 5437 Robinson Road, P.O. Box 790 Pellston, Michigan 49769 Telephone: 1-800-527-9256, 231-539-8000 FAX: 231-539-0914	
		REF: *****	DATE: 03/05/96
TITLE: SURRETTE BATTERY POST SEAL			SCALE:
MATERIAL: SEE LIST		PART NO. SU05496	
COLOR: BLACK	DRG CLASS *****		