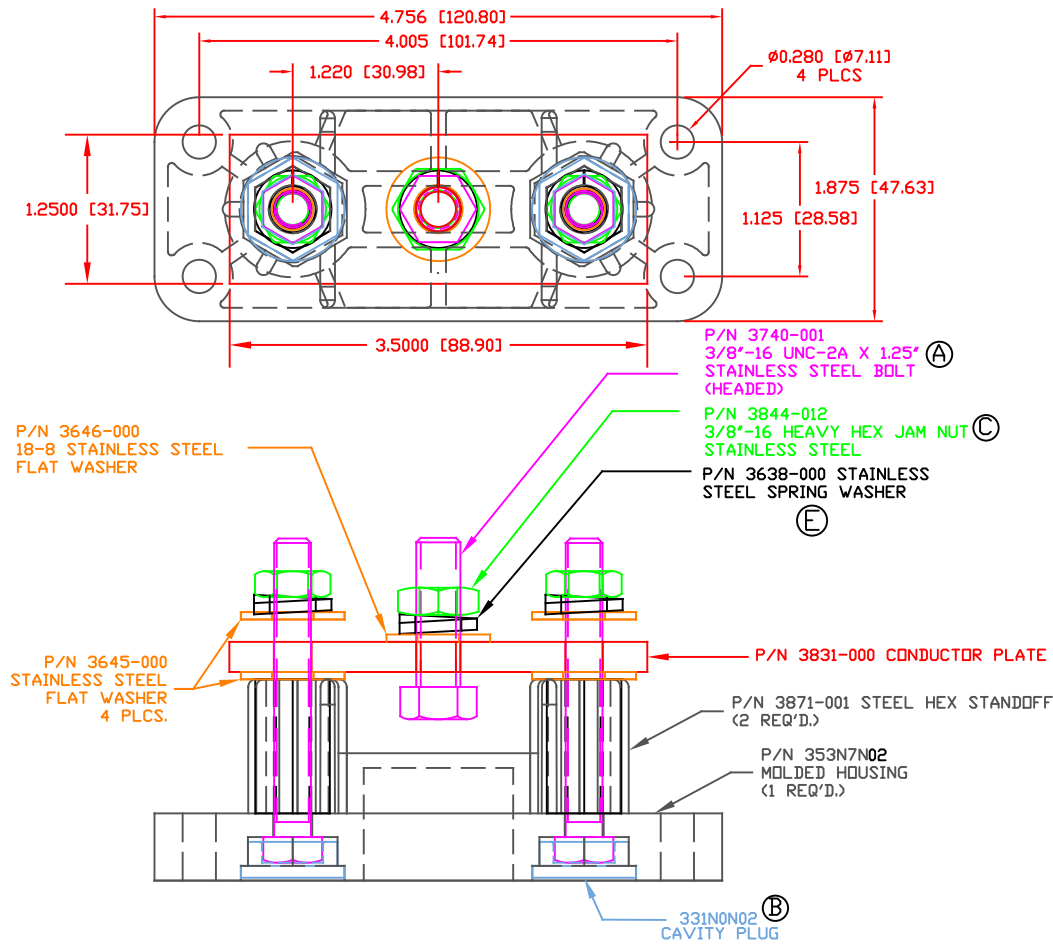


THE INFORMATION CONTAINED IN THIS DRAWING IS THE SOLE PROPERTY OF VTE INCORPORATED. ANY REPRODUCTION IN PART OR WHOLE WITHOUT THE WRITTEN PERMISSION OF VTE INCORPORATED IS PROHIBITED. VTE MAKES NO WARRANTY, EXPRESSED OR IMPLIED, AS TO THE SUITABILITY OF A PRODUCT FOR ANY INTENDED USE. THE CUSTOMER SHALL BEAR THE SOLE RESPONSIBILITY OF DETERMINING THE SUITABILITY OF ANY VTE PRODUCT FOR ITS END USE.



P/N 3646-000
18-8 STAINLESS STEEL
FLAT WASHER

P/N 3645-000
STAINLESS STEEL
FLAT WASHER
4 PLCS.

P/N 3740-001
3/8"-16 UNC-2A X 1.25"
STAINLESS STEEL BOLT
(HEADED) Ⓐ

P/N 3844-012
3/8"-16 HEAVY HEX JAM NUT
STAINLESS STEEL Ⓒ

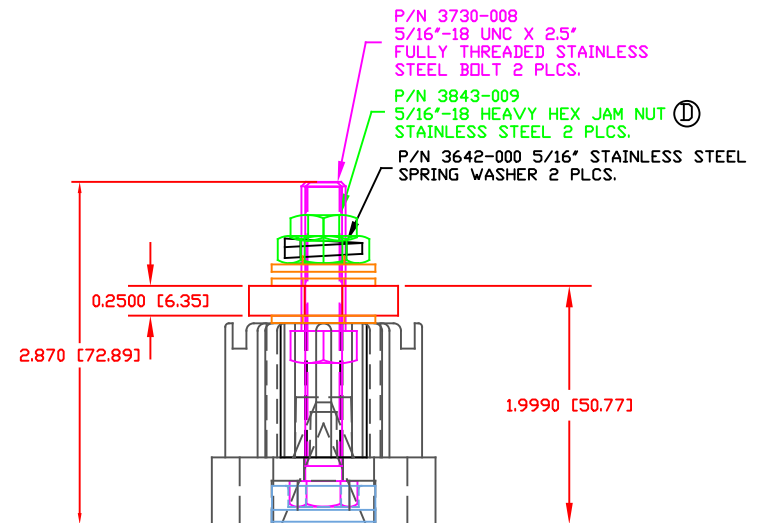
P/N 3638-000 STAINLESS
STEEL SPRING WASHER
Ⓔ

P/N 3831-000 CONDUCTOR PLATE

P/N 3871-001 STEEL HEX STANDOFF
(2 REQ'D.)

P/N 353N7N02
MOLDED HOUSING
(1 REQ'D.)

331N0N02
CAVITY PLUG Ⓑ



P/N 3730-008
5/16"-18 UNC X 2.5"
FULLY THREADED STAINLESS
STEEL BOLT 2 PLCS.

P/N 3843-009
5/16"-18 HEAVY HEX JAM NUT
STAINLESS STEEL 2 PLCS. Ⓓ

P/N 3642-000 5/16" STAINLESS STEEL
SPRING WASHER 2 PLCS.

SCALE FACTOR : NONE
ALL DIMENSIONS GIVEN AS: in [mm]
TOLERANCES UNLESS OTHERWISE SPECIFIED :
MOLDED PARTS: ±.030" [±0.8mm]
HARDWARE ITEMS: ±.010" [±0.25mm]

MATERIAL PART NO:
MATERIAL:
VENDOR PART NO:
SPECIFIC GRAVITY:
MELTING TEMP:
U.L. RATING:

7111210502
GLASS FILLED NYLON
NYLON N2015 HL NAT
1.23
515 F [268 C]
UL 94 HB

MAXIMUM AMPERAGE:
RECOMMENDED MAXIMUM FASTENER TORQUE:

700 AMPS @12VDC
3/8"-16 180 IN./LBS.
5/16"-18 120 IN./LBS.

LTR.	REVISIONS	DATE	INT
A	3740-001 WAS 3740-006	04-14-08	BRH
B	PN 331NOV** CHANGED TO PN 331NON**	08-05-16	MDL
C	3844-012 WAS 3844-003	11-01-16	JMM
D	REPLACED P/N 3843-001 WITH P/N 3843-009	01-16-17	RAS
E	REMOVED BOTTOM LOCKWASHER	04-02-24	RAS



VTE Incorporated
5437 Robinson Road, P.O. Box 790
Pellston, Michigan 49769
Telephone: 1-800-527-9256, 231-539-8000
FAX: 231-539-0914

REF:	DATE:	DRN BY:	BRH	WEIGHT:
CUSTOMER DIMS	3-26-08	CHK'D BY:	BRH	0.927 lbs [420.48 g]
TITLE:				SCALE:
BUS BAR, HI-AMP 3 POINT				
MATERIAL: GLASS FILLED NYLON			PART NO.	
COLOR: RED			7753N7N02	
DRG CLASS REV E				